

3M™ Multiport Grommets FR

2 Port, 0.60" Diameter

3 Port, 0.52" Diameter

For Use With 3M™ Closure Assemblies
2178-XSB/FR and 2178-XL/FR Only

Instructions

1.0 Kit Contents

- 1.1 2-port grommet
- a. Multiport grommet
 - b. Sealing washer
 - c. Silicone lubricant

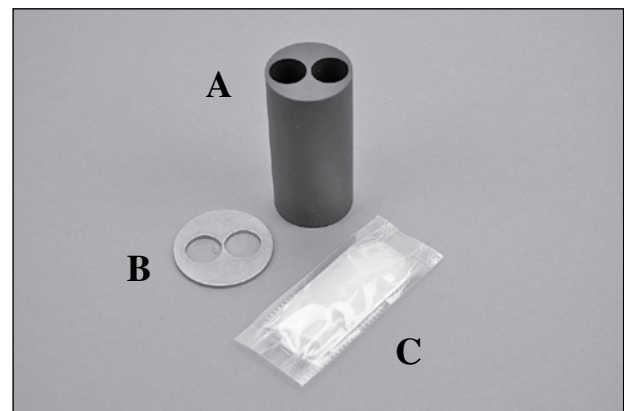


Figure 1

- 1.2 3-port grommet
- a. Multiport grommet
 - b. Sealing washer
 - c. Silicone lubricant

Note: *Visually inspect all components. If any component is missing or appears damaged, do not install. Call 3M customer service at 1-800-426-8688 for a replacement product.*

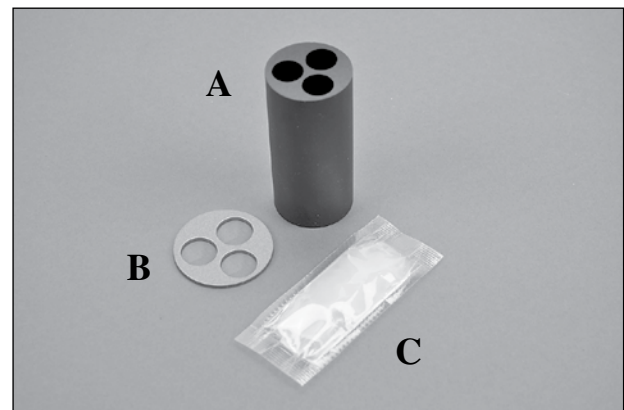


Figure 2

2.0 Grommet Kit Installation

2.1 Slide cable through grommet.

Note: A small amount of lubricant provided in the kit may be placed on cables to ease installation into the multiport grommet. Carefully follow health and safety environmental instructions as given on Material Safety Data Sheet for the silicone lubricant.



Figure 3

2.2 Slide the sealing washer onto the cables towards the outside of the closure.



Figure 4

2.3 Place cable strain relief on grommet so that hose clamp center is approximately $\frac{1}{2}$ " (13 mm) from end of grommet. Tighten hose clamp around grommet and cable strain relief to 40 in./lbs. \pm 5 in./lbs. (4.6 N•m \pm 0.6 N•m).

Note: Insure that extruded retention feature of strain relief (Figure 5) has sufficient contact with surface of grommet.

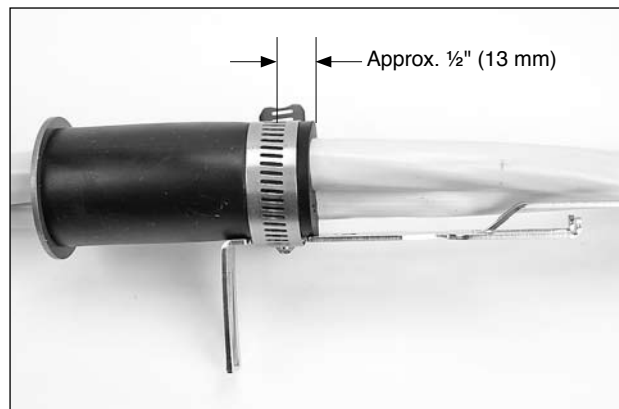


Figure 5



Figure 6

- 2.4 Place a small amount of lubricant on the gasket inside diameter in the area where it seals with multiport grommet.

Note: *Carefully follow health and safety environmental instructions as given on Material Safety Data Sheet for the silicone lubricant.*



Figure 7

- 2.5 Place cable strain relief and multiport grommet assembly into closure.

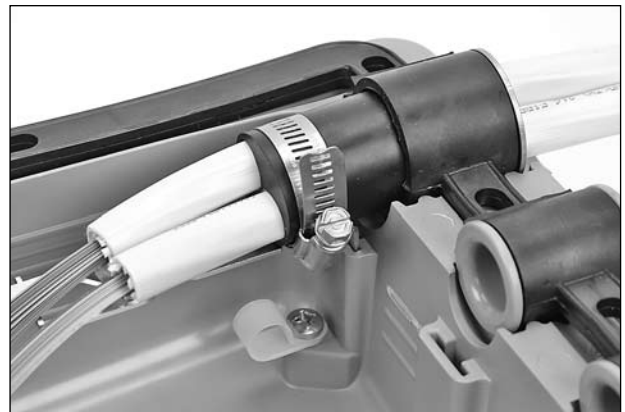


Figure 8

- 2.6 Place cable ties around multiport grommet assembly inside and out as shown.
- 2.7 Follow closure instruction for all other preparation leading up to and including sealing closure.

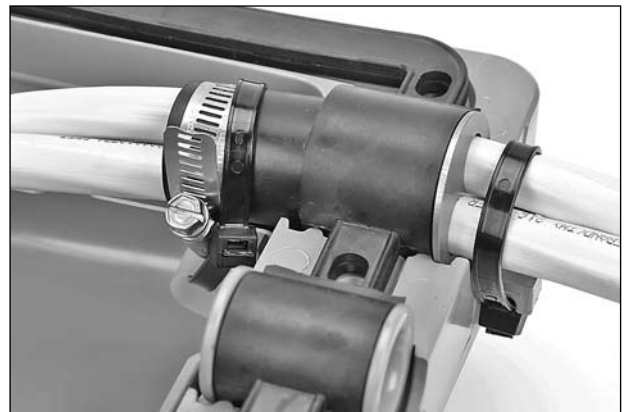


Figure 9

3M is a trademark of 3M Company.

Important Notice

All statements, technical information, and recommendations related to 3M's products are based on information believed to be reliable, but the accuracy or completeness is not guaranteed. Before using this product, you must evaluate it and determine if it is suitable for your intended application. You assume all risks and liability associated with such use. Any statements related to the product which are not contained in 3M's current publications, or any contrary statements contained on your purchase order shall have no force or effect unless expressly agreed upon, in writing, by an authorized officer of 3M.

Warranty; Limited Remedy; Limited Liability.

This product will be free from defects in material and manufacture for a period of one (1) year from the time of purchase. **3M MAKES NO OTHER WARRANTIES INCLUDING, BUT NOT LIMITED TO, ANY IMPLIED WARRANTY OF MERCHANTABILITY OR FITNESS FOR A PARTICULAR PURPOSE.** If this product is defective within the warranty period stated above, your exclusive remedy shall be, at 3M's option, to replace or repair the 3M product or refund the purchase price of the 3M product. **Except where prohibited by law, 3M will not be liable for any indirect, special, incidental or consequential loss or damage arising from this 3M product, regardless of the legal theory asserted.**



**Communication Markets Division
3M Telecommunications**

6801 River Place Blvd.
Austin, TX 78726-9000
1-800-426-8688
www.3MTelecommunications.com

Please Recycle. Printed in USA.
© 3M 2008. All Rights Reserved.
78-8140-0643-9-B